

Applications

- Agriculture Equipments
- Heavy Construction Equipments
- Light Construction Equipments
- Air Compressors
- Motors
- Generators
- Wind Turbines
- General Industries

elasto-Two-Piece-Bush-Mounts are used for heavy and light equipment such as agriculture, construction, off and on highway trucks. But also the general industry has many application. The parts absorb shocks, vibrations or machine noises.



CHARACTERISTICS AND CAPABILITIES OF ELASTO-TWO-PIECE-BUSH-MOUNTS.

-Motion Isolation: Production efficiency is only possible with preventable downtime. elasto-Two-Piece-Bush-Mounts will protect sensitive electric motor or aggregates from incurred movements.

-Vibration Absorption: Most machinery transfers vibrations to the immediate environment. With the installation of our elasto-Two-Piece-Bush-Mounts the vibration transfer will be prevented.

-Noise Reduction: All Machinery not isolated produce motion and noise. An effective isolation will be evident with the installation of our elasto-Two-Piece-Bush-Mounts

ELASTO-TWO-PIECE-BUSH-MOUNTS (ADVANCED DESIGN)

The design of the elasto-Two-Piece-Bush-Mounts are developed to absorb forces in all directions.

-High Load Capacity: Different sizes for most applications. Mounts available are effective up to a 1,500 kg (3,300 LBS) load.

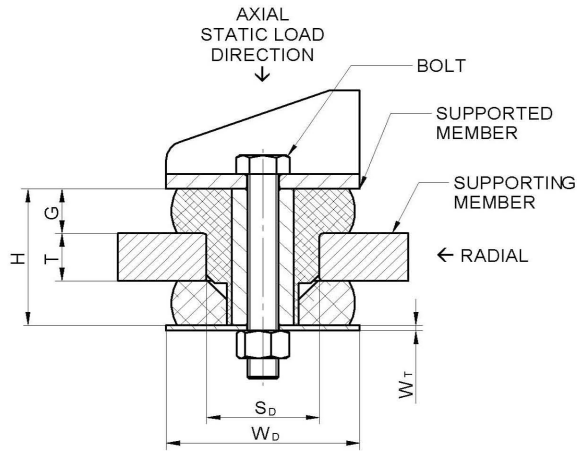
-Maintenance Free and Long Term Durability: The standard rubber compound is developed for rough environmental conditions.

-elastometal provides over 800 different rubber compounds for all industry applications.

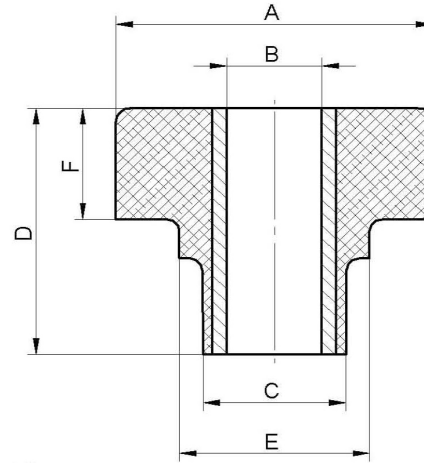


The information herein is general in nature and is not intended for specific application purposes. We suggest that product samples be tested and approved based on your intended application. We reserve the right to alter specifications or withdraw products without prior notice.

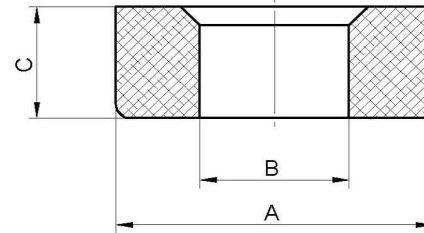
elasto-Two-Piece-Bush-Mounts



Part 1



Part 2



Part Number	Dia. x Height mm (Inch) (A) x (D)	bolt hole mm (Inch) (B)	Baseplate Hole mm (Inch) (E)	Height mm (Inch) (F & C)	Baseplate Thickness mm (Inch) (T)	Quality		Axial Load/Deflection	
						ShoreA Duro	Elastomer	N at mm	Lbs at Inch
TPB3227w	32 x 27 (1.26) x (1.06)	10 (.39)	19 (.75)	12 (.47)	4 (.16)	43	NR	350 N at .6 mm	78 LBS at .023"
TPB3227						57		650 N at .6 mm	146 LBS at .023"
TPB3227h						68		1000 N at .6 mm	225 LBS at .023"
TPB4849w	48 x 49 (1.89) x (1.93)	13.5 (.53)	32.5 (1.28)	19 (.75)	10.5 (.41)	43	NR	550 N at 1.0 mm	123 LBS at .039"
TPB4849						57		850 N at 1.0 mm	191 LBS at .039"
TPB4849h						68		1450 N at 1.0 mm	325 LBS at .039"
TPB6562w	65 x 62 (2.56) x (2.44)	16.5 (.65)	40 (1.57)	23.4 (.92)	15.5 (.61)	43	NR	1500 N at 1.2 mm	337 LBS at .047"
TPB6562						57		2500 N at 1.2 mm	562 LBS at .047"
TPB6562h						68		3200 N at 1.2 mm	719 LBS at .047"
TPB8873w	88 x 73 (3.46) x (2.87)	24 (.94)	58.5 (2.30)	25.5 (1.00)	22 (.87)	43	NR	2500 N at 1.3 mm	562 LBS at .05"
TPB8873						57		3800 N at 1.3 mm	854 LBS at .05"
TPB8873h						68		5500 N at 1.3 mm	1236 LBS at .05"
TPB12486w	124 x 86 (4.88) x (3.39)	27 (1.06)	63.5 (2.5)	31 (1.22)	32 (1.26)	43	NR	2500 N at 1.3 mm	562 LBS at .05"
TPB12486						57		3800 N at 1.3 mm	854 LBS at .05"
TPB12486h						68		5500 N at 1.3 mm	1236 LBS at .05"

The information herein is general in nature and is not intended for specific application purposes. We suggest that product samples be tested and approved based on your intended application. We reserve the right to alter specifications or withdraw products without prior notice.