

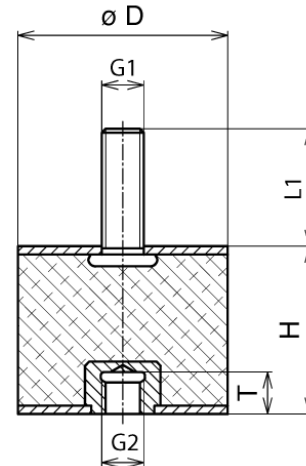
7540HU38

elasto-B-Mounts 75x40

75x40 B UNC1/2-13/38 NR 43 Shore

Dimensions:

D	H
75.00	40.00
G1	G2
UNC1/2-13	UNC1/2-13
L1	T
38.00	13.00
Elastomer	ShoreA
NR	43



1. Table of Contents

1. Table of Contents
2. Application Analysis Data
 - 2.1 Calculated Results in Compression and Shear
- Example Application
3. Recommended Compression Load
4. Recommended Shear Load
5. Compression/Injection Molded Standard Product Tolerances
6. Rubber Selection
7. Tightening Torque and Bolt Grades & Class
8. Torque Threaded Stud Test of elasto-A- and B-Mounts
9. Certificate of RoHS compliance and shelf life expectancy.

7540HU38

elasto-B-Mounts 75x40
75x40 B UNC1/2-13/38 NR 43 Shore

Dimensions:

D	H
75.00	40.00
G1	G2
UNC1/2-13	UNC1/2-13
L1	T
38.00	13.00
Elastomer	ShoreA
NR	43



2. Application Analysis Data

Total supported weight: lbf
 Mounting Quantity Qty
 Force per Mount 0 [N]
 0 kgf
 0 lbf
 0.00 [kN]
 Frequency Source 6000 cpm
 100.00 Hz

2.1 Calculated Result

Compression:

Deflection 0.000 Inch
 Spring Rate 5534 lbs/Inch
 Natural Frequency ? cpm
 ? Hz
 Frequency Ratio ? N/mm2
 Calculated Isolation ?

Example Application



Shear:

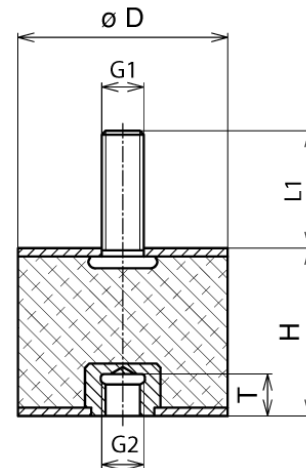
Deflection 0.000 Inch
 Spring Rate 679 lbs/Inch
 Natural frequency ? cpm
 ? Hz
 Frequency Ratio ? N/mm2
 Isolation ?

7540HU38

elasto-B-Mounts 75x40
75x40 B UNC1/2-13/38 NR 43 Shore

Dimensions:

D	H
75.00	40.00
G1	G2
UNC1/2-13	UNC1/2-13
L1	T
38.00	13.00
Elastomer	ShoreA
NR	43



3. Recommended Compression Load

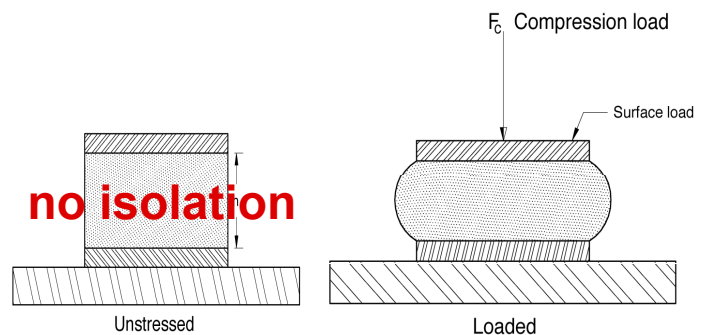
Compression Information

Deflection	0.124 Inch
Spring Rate	5534 lbs/Inch
Maximum Stress	30.80 lbs/Inch

Maximum Force	686 lbf
Maximum Deflection	0.124 Inch
Stress	0.16 lbs/Inch
max. force at 15%	3.95 lbs/Inch
Natural Frequency	528 cpm
	9 Hz
Frequency Ratio	11.37 N/mm2
Calculated Isolation	99%

Compression Deflection Information

0.124 Inch deflection at 686 lbf
5533.8 lbs/Inch Spring Rate
9 Hz Natural Frequency at max. load
99% Isolation at 6000cpm



7540HU38

elasto-B-Mounts 75x40
75x40 B UNC1/2-13/38 NR 43 Shore

Dimensions:

D	H
75.00	40.00
G1	G2
UNC1/2-13	UNC1/2-13
L1	T
38.00	13.00
Elastomer	ShoreA
NR	43



4. Recommended Shear Load

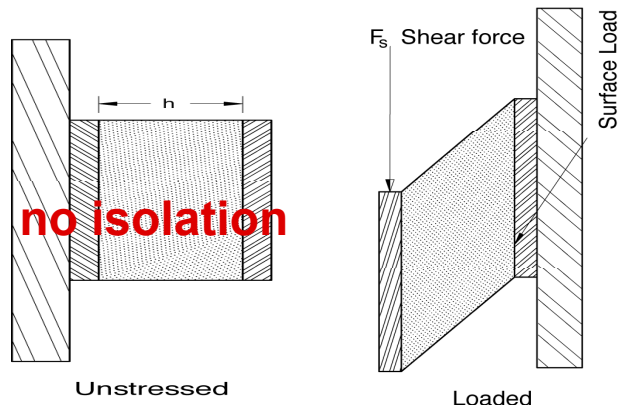
Shear Information

Deflection	0.028	Inch
Spring Rate	679	lbs/Inch
max. stress	0.39	lbs/Inch

Shear Deflection Information

0.028 Inch deflection at 85 lbf
678.7 lbs/Inch Spring Rate
19 Hz Natural Frequency by max. load
96% Isolation by 6000rpm

max. Force	85	lbf
max. Deflection	0.443	Inch
Stress	0.02	lbs/Inch
max. Shear Stress at 15 %	0.48	lbs/Inch
Natural frequency	1113	1/min
	19	Hz
Frequency Ratio	5.39	N/mm2
Calculated Isolation	96%	



7540HU38

elasto-B-Mounts 75x40
75x40 B UNC1/2-13/38 NR 43 Shore

Dimensions:

D	H
75.00	40.00
G1	G2
UNC1/2-13	UNC1/2-13
L1	T
38.00	13.00
Elastomer	ShoreA
NR	43



5. Compression/Injection Molded Standard Product Tolerances

Standard compression molded product dimensional tolerances conform to DIN ISO 3302-1 M3 C
Standard Injection molded product tolerances conform to DIN ISO 3302-1 M3 F
Further information regarding product/process quality can be provided upon request.

Dimensions		Dimensions		Tolerance in mm	Tolerance in Inch	Tolerance in mm	Tolerance in Inch
mm		inch		Class M3-F	Class M3-F	Class M3-C	Class M3-C
from	to	from	to	DIN ISO 3302-1	DIN ISO 3302-1	DIN ISO 3302-1	DIN ISO 3302-1
				mm	inch	mm	inch
0	4	0	.15"	± 0.25	± .010	± 0.40	± .016
4	6.3	.16"	.25"	± 0.25	± .010	± 0.40	± .016
6.3	10	.25"	.39"	± 0.30	± .012	± 0.50	± .020
10	16	.39"	.63"	± 0.40	± .016	± 0.60	± .024
16	25	.63"	.98"	± 0.50	± .020	± 0.80	± .032
25	40	.98"	1.57"	± 0.60	± .024	± 1.00	± .040
40	64	1.57"	2.52"	± 0.80	± .032	± 1.30	± .051
63	100	2.38"	3.94"	± 1.00	± .040	± 1.60	± .063
100	160	3.94"	6.30"	± 1.30	± .051	± 2.00	± .079
160	-	6.30"	-	± 1.3 %	± 1.3 %	± 1.3 %	± 1.3 %

Standard rubber hardness tolerance ± 5 Shore A Durometer per ASTM D2000

7540HU38

elasto-B-Mounts 75x40
75x40 B UNC1/2-13/38 NR 43 Shore

Dimensions:

D	H
75.00	40.00
G1	G2
UNC1/2-13	UNC1/2-13
L1	T
38.00	13.00
Elastomer	ShoreA
NR	43



6. Rubber Selection

Hardness Range (ShoreA)	Temperature Resistance Range °C (F°)	Short Term Peak Temperature C° (F°)	Tensile Strength (N/mm ²) (PSI)	Tensile Elongation %	Elastomer Basic Material Chemical-Technical Discription Below: (Trade Name)	International Description	PROPERTIES															
							Tensile Strength	Tear Resistance	Abrasion Resistance	Restoring Ability	Rebound Resilience	Ozone Resistance	Flame Resistance	Acid Resistance	Benzene & Mineral Oil Resistance	Gas Impermeability	Water Absorption Resistance	- Temperature Resistance	+ Temperature Resistance			
25 - 95	-40° - 75° (-40° - 167°)	+100° (212°)	31 (4496)	800	Natural Rubber	NR	2	2	2	2	1	4	5	3	5	4	3	2	4			
30 - 90	-30° - 120° (-22° - 248°)	+150° (302°)	27.5 (3988)	450	Chloroprene (Baypren, Neoprene)	CR	2	3	2	3	2	2	2	2	3	3	4	4	3			
30 - 90	-40° - 150° (-40° - 302°)	+180° (356°)	20 (2901)	450	Ethylene-Propylene - Terpolymer	EPDM	3	4	3	3	3	1	6	3	5	3	2	3	2			
25 - 95	-40° - 140° (-40° - 288°)	+160° (320°)	25 (3626)	500	Nitrile Butadiene (Perbunan)	NBR	3	4	3	3	3	5	5	3	1	3	3	4	3			
35 - 95	-30° - 110° (-22° - 230°)	+150° (302°)	25 (3626)	450	Styrene-Butadiene	SBR	3	3	2	3	3	5	5	3	5	3	3	3	3			
30 - 85	-40° - 130° (-40° - 266°)	+150° (302°)	17 (2466)	800	Butyl	IIR	3	2	2	3	5	1	4	4	6	4	2	2	3			
55 - 98	-30° - 80° (-22° - 176°)	+100° (212°)	30 (4351)	800	Polyurethane	PUR	1	2	1	3	3	2	4	5	2	4	5	3	4			
40 - 80	-70° - 180° (-94° - 356°)	+225° (437°)	8 (1160)	250	Silicone Rubber	SI	5	5	5	5	2	1	4	3	5	5	4	1	1			
65 - 90	-30° - 225° (-22° - 437°)	+350° (662°)	20 (2901)	400	Fluorocarbon (Viton)	FPM	3	2	5	5	4	1	1	1	1	1	-	4	1			

1 = Very Good 2 = Good 3 = Satisfactory 4 = Adequate 5 = Poor 6 = Inadequate

The above mentioned information are used for a guide and can be modified by elastometall to improve certain characteristics.

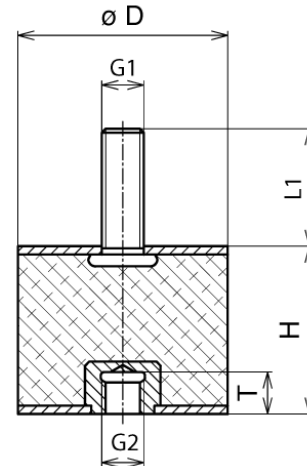
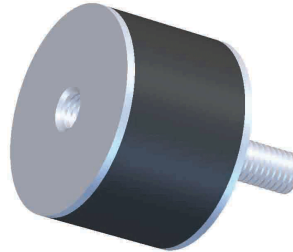
7540HU38

elasto-B-Mounts 75x40

75x40 B UNC1/2-13/38 NR 43 Shore

Dimensions:

D	H
75.00	40.00
G1	G2
UNC1/2-13	UNC1/2-13
L1	T
38.00	13.00
Elastomer	ShoreA
NR	43



7. Tightening Torque and Bolt Grades & Class

Tightening Torque per ASTM A193 and A194

Metric Units: (Metric Thread)			
	CLASS 5.6	CLASS 8.8	CLASS 10.9
Thread Size & Pitch	Tightening Torque (Nm)	Tightening Torque (Nm)	Tightening Torque (Nm)
M2	0.16	0.37	0.52
M2.3	0.26	0.6	0.84
M2.6	0.37	0.86	1.21
M3	0.59	1.34	1.88
M3.5	0.9	2.06	2.89
M4	1.34	3.04	4.31
M5	2.65	6.03	8.48
M6	4.51	10.3	14.71
M7	7.45	17.16	24.52
M8	10.79	25.5	35.3
M10	21.57	50.01	70.61
M12	38.25	87.28	122.58
M14	60.8	138.27	194.17
M16	93.16	210.84	299.1
M18	127.49	411.88	411.88
M20	180.44	558.98	578.5
M22	245.17	558.98	784.54
M24	308.91	710.99	1000.28
M27	460.92	1049.32	1480.81
M30	522.73	1421.97	2010.38

English Units: (Coarse Thread)			
	GRADE 2	GRADE 5	GRADE 8
Thread Size & Pitch	Tightening Torque (ft-lb)	Tightening Torque (ft-lb)	Tightening Torque (ft-lb)
6-32	0.86	1.33	1.88
8-32	1.58	2.44	3.44
10-24	2.29	3.53	4.99
12-24	3.59	5.55	7.84
1/4-20	5.47	8.45	11.9
5/16-18	11.3	17.4	24.6
3/8-16	20	30.9	43.6
7/16-14	32	39.4	69.8
1/2-13	48.8	75.4	106
9/16-12	70.4	109	154
5/8-11	97.1	150	212
3/4-10	103	366	376
7/8-9	167	430	606
1-8	250	561	909
1-1/8-7	354	794	1288
1-1/4-7	500	1120	1817
1-3/8-6	655	1469	2382
1/2-6	869	1949	3161

English Units: (Fine Thread)			
	GRADE 2	GRADE 5	GRADE 8
Thread Size & Pitch	Tightening Torque (ft-lb)	Tightening Torque (ft-lb)	Tightening Torque (ft-lb)
6-40	0.96	1.49	2.1
8-36	1.66	2.57	3.63
10-32	2.61	4.04	5.7
12-28	3.83	5.92	8.36
1/4-28	6.26	9.7	13.7
5/16-24	12.5	19.3	27.2
3/8-24	22.66	35	49.4
7/16-20	35.7	55.2	77.9
1/2-20	55	84.9	120
9/16-18	78.5	121	171
5/8-18	110	170	240
3/4-16	115	297	420
7/8-14	184	473	668
1-12	273	613	995
1-1/8-12	397	891	1445
1-1/4-12	553	1241	2012
1-3/8-12	746	1673	2712
1-1/2-12	978	2194	3557

Non-Standard

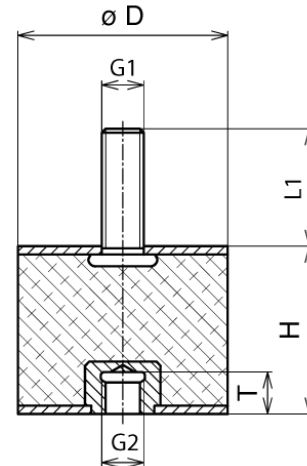
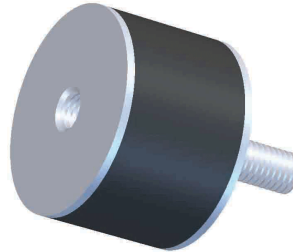
7540HU38

elasto-B-Mounts 75x40

75x40 B UNC1/2-13/38 NR 43 Shore

Dimensions:

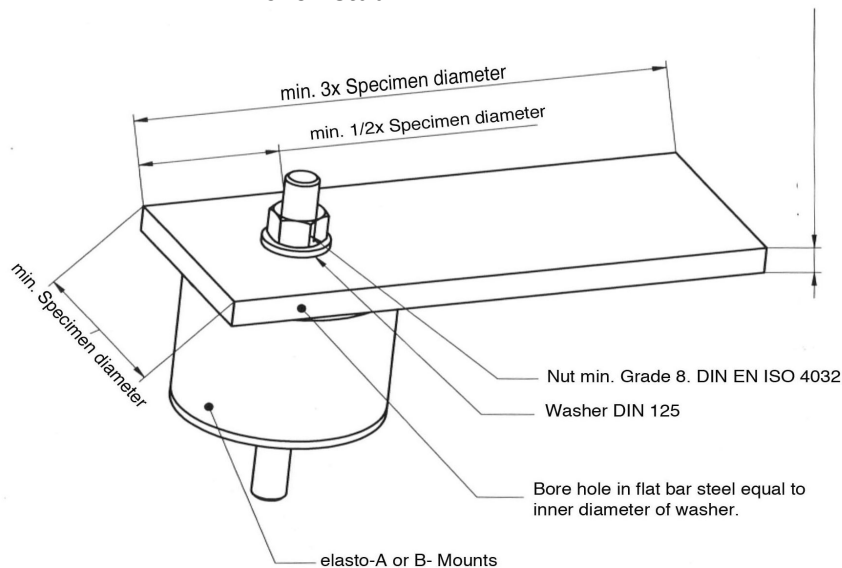
D	H
75.00	40.00
G1	G2
UNC1/2-13	UNC1/2-13
L1	T
38.00	13.00
Elastomer	ShoreA
NR	43



8. Torque Threaded Stud Test of elasto-A- and B-Mounts

Tighten flat bar steel on jaw vise. Setup required torque wrench per table. Use a nut for specimen and tighten it with torque wrench until the required torque is achieved. Loosen nut from specimen and visual check threaded studs for:

- Stud extension
- Thread pitch damaged or sheered
- Connection between washer
- Broken stud

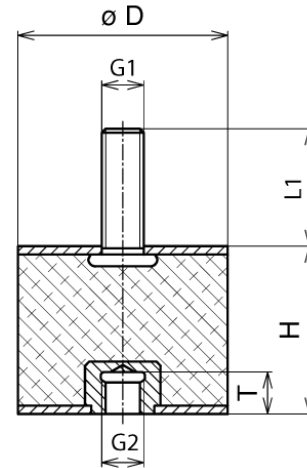


7540HU38

elasto-B-Mounts 75x40
75x40 B UNC1/2-13/38 NR 43 Shore

Dimensions:

D	H
75.00	40.00
G1	G2
UNC1/2-13	UNC1/2-13
L1	T
38.00	13.00
Elastomer	ShoreA
NR	43



9. Certificate of RoHS Compliance

Customer

Dann Blumenthal

Diamond Rubber Products
400 50th S.W.

Birmingham, AL 35228

We confirm that these mounts are RoHS Compliance.

9. Shelf Life Expectancy

Rubber to metal bonded products have a shelf life expectancy of up to 20 years under certain conditions such as room temperature and avoiding direct sunlight or artificial lights.

- ALWAYS KEEP PARTS AWAY FROM DIRECT SUNLIGHT AND BETWEEN 10° - 30° CELSIUS -